

NHLT550LH

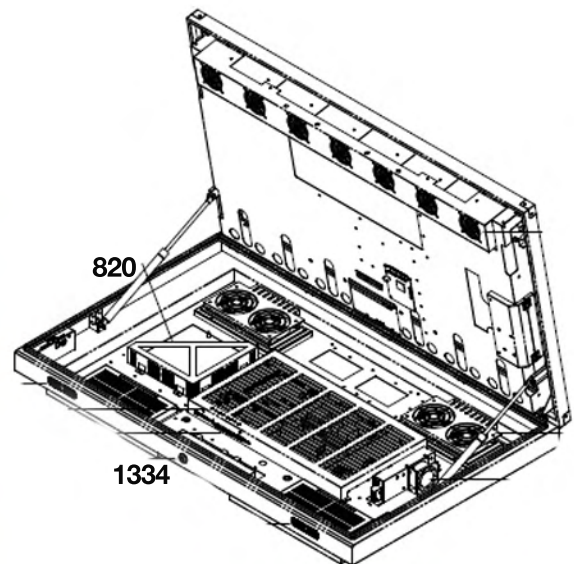
55" Outdoor sunlight readable TV/monitor
Full HD, 1920 x 1080, 2500CD, Vandal proof
VESA 400mm x 400mm, Watertight connector



Features

- Rainproof, dustproof outdoor IP65 LCD
- Brightness : 2500cd, sunlight readable
- Public display professional panel
- Weatherproof, waterproof cable
- Ambient light sensor controls brightness
- Resolution: Full HD 1920 x 1080
- Outdoor temperature: -30°C~50°C
- Auto cooling system, auto heating system
- Average power: 500W, 60Hz, 110-240V
- Easy inputs: DVI-D, HDMI, VGA, RS-232C
- Tempered glass with anti-reflection film
- Aluminum housing, powder coated steel structure

Dimension



Specification

Category	Description
Certification	FCC Class B verification
Overall physical dimensions	1334mm(W) * 820mm(H) * 203.7mm(D) (with wall frame)
Screen active area	1209.6mm(W) * 680.4mm(H)
Display net weight per unit	90.5kg
Resolution (minimum 720p)	1920 x 1080
Aspect Ratio	16:9
Display Colors	16.7M
Brightness (cd/m ² ; typ.)	2500
Contrast Ratio	5,000:1
Response Time (ms; GTG)	6
Viewing Angle	178°/178°
Lifetime (hours)	50,000
Backlight type	LED
Dimming	Depending on environment brightness
Color temperature	Custom / Cool2 / Cool1 / Normal / Warm1 / Warm2
Calibration	At factory or via RS232C
Refresh rate	120 Hz
Signal input	DVI-D, HDMI, VGA, RS-232C
OSD Language	10 languages
Operating Voltage	100 – 240VAC
Consumption (max.)	500W (Without PC)
Consumption per nits (max.)	0.2W (w/o heater)
Heater block (with PC Case)	850W / Peak 1.2KW
Operation temperature	-30°C ~ +50°C
Storage temperature	-40°C ~ +60°C
Humidity	20~80%
Ventilation	Low noise fan and heater
Warranty length	3 years warranty
Ingress protection	IP 65
Ambient control technologies	Auto cooling, auto heating, auto brightness sensor Anti vandal glass, anti reflection coating
Display mode	Landscape
Safety glass	Tempered glass with AR film
Housing	Powder coated surface treatment



Eastbound Train

DANGER
Stand Back of
Yellow Line

LEAVING
INTERLOCKING
LIMITS

BE

Eastbound Train

DANGER

Stand Back of
Yellow Line

87
Calgary Transit
2261

LEAVING
INTERLOCKING
LIMITS

BE bound

DA
Stand
Yellow

DANGER

Stand Back of
Yellow Line

Eastbound Train

DANGER

Stand Back of
Yellow Line

Eastbound Train

DANGER

Stand Back of
Yellow Line

Eastbound Train

DANGER

Stand Back of
Yellow Line

Eastbound Train

DANGER



Stand Back of
Yellow Line

Eastbound Train

DANGER

Stand Back of
Yellow Line

HYATT

  **Gormley** **15:55**

...morning of Sat. Sept. 9.

Destination	Scheduled Arrival	Stopping at Azule	Track Vain	Expected Arrival
Southbound to Union / Direction Sud à Union				
See Schedule for Available GO Service / Consultez l'horaire pour le service GO disponible				
Northbound towards Gormley / Direction Nord vers Gormley				
Gormley	17:30	Gormley	1	On Time / À l'heure
Gormley	18:01	Gormley	1	On Time / À l'heure
Gormley	18:32	Gormley	1	On Time / À l'heure
Gormley	19:01	Gormley	1	On Time / À l'heure
Gormley	19:58	Gormley	1	On Time / À l'heure

La "Quiet Zone" est en effet sur le niveau supérieur de chaque train aux heures de
Raisons du délai sont rapportés pour des retards de 10 minutes ou plus.

Pay with PRESTO here / Payez avec PRESTO ici



PRESTO

Pay Here - Paiement



PRESTO



BYLAW OFFICERS, CALGARY POLICE, AND THE FIRE DEPARTMENT WILL BE

11:08
Wednesday July 12

WED	THU	FRI
13	30	30

MLB
AL 2
NL 1

! Hold onto your hats, we've let the CTrains loose with 24-hour service throughout the Calgary Stampede -- Yahoo!

TUSCANY > **1 min** > 69 ST > **3 min**

DANGER
Stand Back of
Yellow Line

City Hall

11:08
Wednesday July 12

TUSCANY > 1 min > 69 ST > 3 min

Eastbound Train

DANGER
Stand Back of
Yellow Line

DANGER
Stand Back of
Yellow Line

Westbound Train

11:08
Wednesday July 12

TUSCANY > 1 min > 69 ST > 3 min

DANGER
Stand Back of
Yellow Line

Westbound Train

LOCAL WEATHER



TODAY	THURSDAY	FRIDAY
13°C	30°C	30°C
0%	0%	0%

11:11

Wednesday July 12

WED	THU	FRI
13	30	30
MLB		
AL		2
NL		1



Drop something on the tracks? Don't jump down, please locate a help phone on the platform, we're here to help you. Happy Stamping!



PLEASE STAND BEHIND THE YELLOW LINE

10:08

Wednesday July 12

WED



12

THU



30

FRI



30

MLB

AL

NL

2

1

THAT FITS PROPERLY. IT CAN SAVE YOUR LIFE.

Get your boots on! Check out calgarytransit.com/stampede for all Stampede related information.

PLEASE STAND BEHIND THE YELLOW LINE